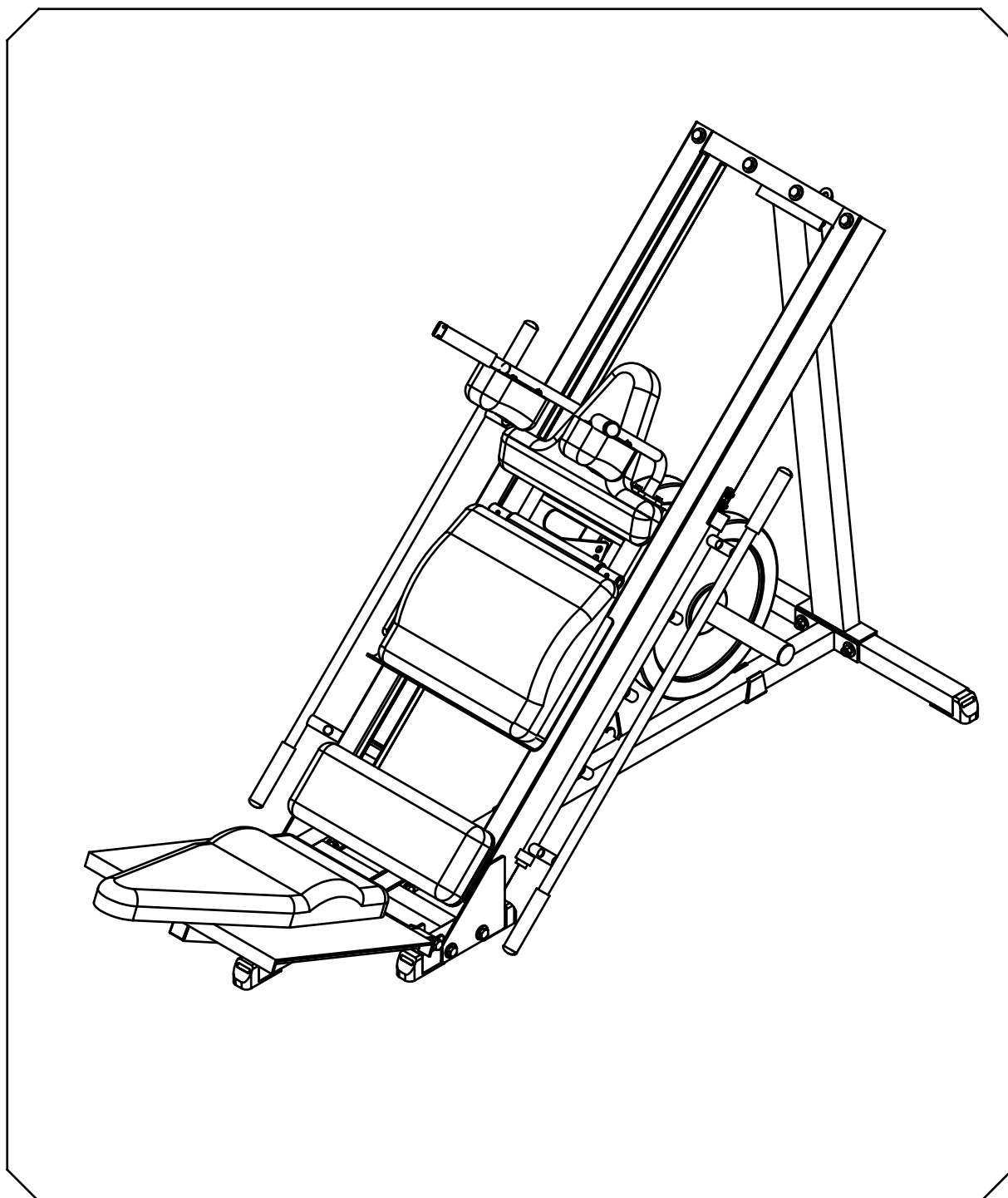


Body-Solid

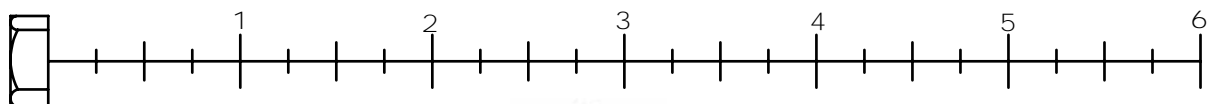
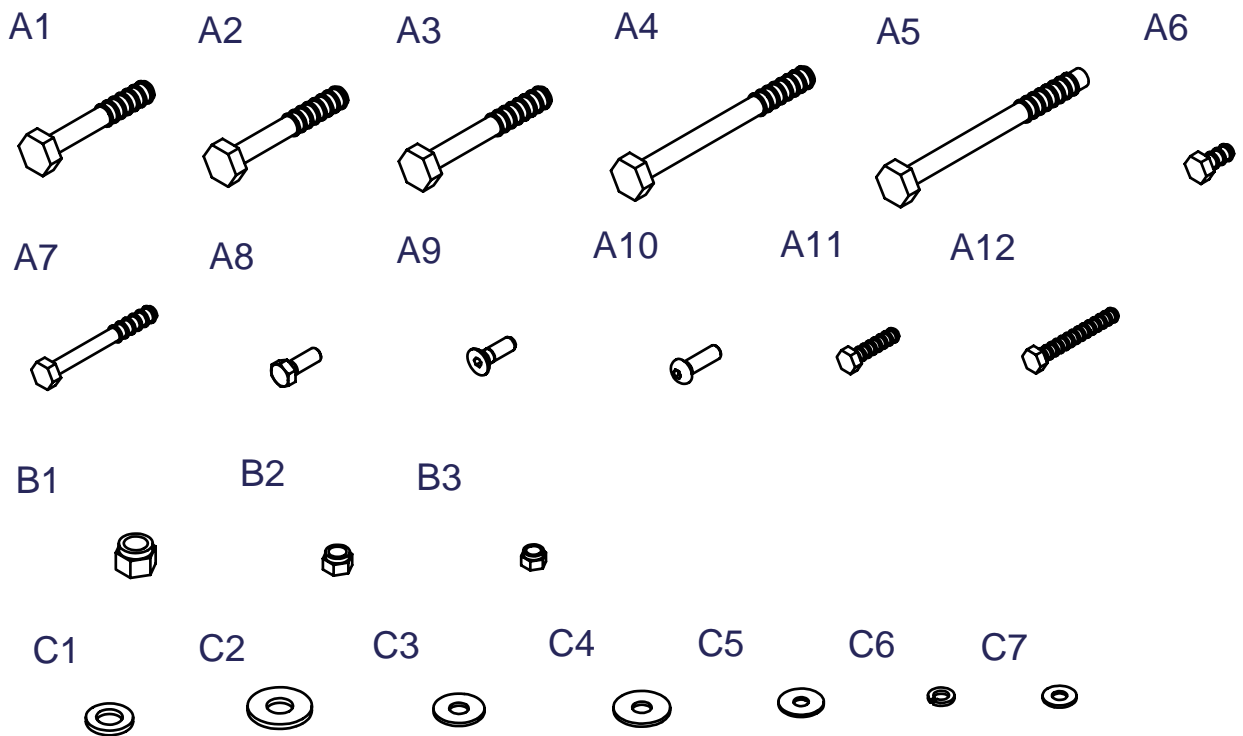


BODY-SOLID, Inc.
1900 S. Des Plaines Ave.
Forest Park, IL 60130 USA
Phone: (708) 427-3555
Fax: (708) 427-3556
www.bodysolid.com

LPH-1100.1 OWNER'S MANUAL

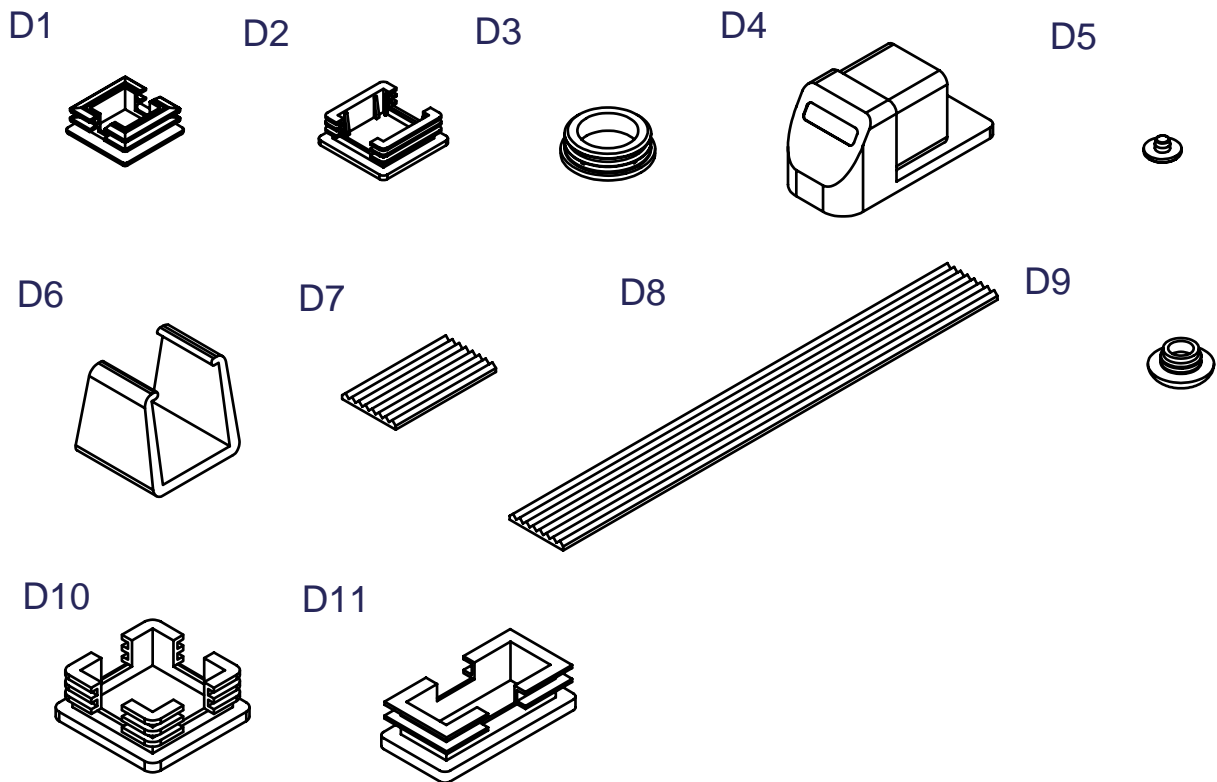
HARDWARE ILLUSTRATION

A1.	1/2"X3"L Hex Head Bolt-----	[4PCS]
A2.	1/2"X3 1/4"L Hex Head Bolt-----	[6PCS]
A3.	1/2"X3 1/2"L Hex Head Bolt-----	[4PCS]
A4.	1/2"X5"L Hex Head Bolt-----	[3PCS]
A5.	1/2"X5 1/4"L Hex Head Bolt-----	[2PCS]
A6.	3/8X3/4"L Hex Head Bolt -----	[2PCS]
A7.	3/8"X3"L Hex Head Bolt-----	[4PCS]
A8.	5/16"X3/4" Hex Head Bolt-----	[4PCS]
A9.	5/16"X1" Co.Noid Head Bolt-----	[4PCS]
A10.	5/16"X1" Round Bolt-----	[13PCS]
A11.	5/16"X1 1/4" Hex Head Bolt-----	[2PCS]
A12.	5/16"X2 1/4" Hex Head Bolt-----	[2PCS]
B1.	1/2" Nylon Lock Nut-----	[19PCS]
B2.	3/8" Nylon Lock Nut-----	[4PCS]
B3.	5/16" Nylon Lock Nut-----	[4PCS]
C1.	1/2"(I.D.) Washer(Ø25)-----	[8PCS]
C2.	1/2"(I.D.) Washer(Ø34)-----	[30PCS]
C3.	3/8"(I.D.) Washer(Ø27)-----	[8PCS]
C4.	3/8"(I.D.) Washer(Ø30)-----	[2PCS]
C5.	5/16"(I.D.) Washer(Ø24)-----	[17PCS]
C6.	5/16" Spring Washer-----	[17PCS]
C7.	5/16" (I.D.)Washer(Ø18)-----	[8PCS]



HARDWARE ILLUSTRATION

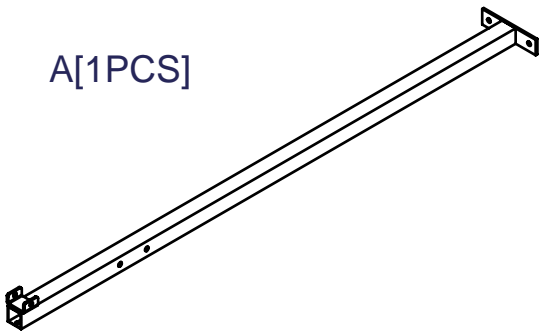
- D1. 1 3/4"X1 3/4" End Cap(9211-004)-----[2PCS]
- D2. 2"X2" End Cap(9211-006)-----[7PCS]
- D3. Ø50 Round End Cap(9211-020)-----[2PCS]
- D4. 2"X2"L Foot Cap(9211-024)-----[7PCS]
- D5. Ø20 Round End Cap(9211-036)-----[4PCS]
- D6. 2"x2" Rubber Dount (9212-010)-----[2PCS]
- D7. 38X75L Rubber Pad(9310-002)-----[2PCS]
- D8. 38X325L Rubber Pad(9310-042)-----[1PCS]
- D9. Ø1"x2.5t Round End Cap(9260-021)-----[4PCS]
- D10. 38X38 End Cap(9211-003)-----[4PCS]
- D11. 25X50 End Cap (9211-009)-----[2PCS]



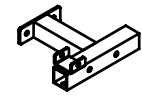
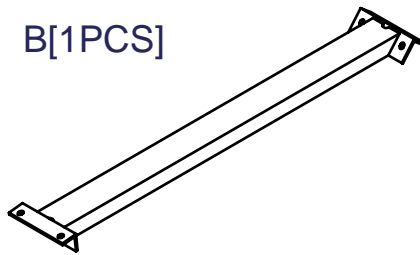
PARTS ILLUSTRATION SHEET

C[1PCS]

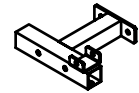
A[1PCS]



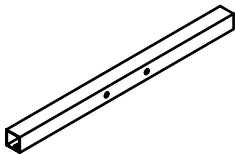
B[1PCS]



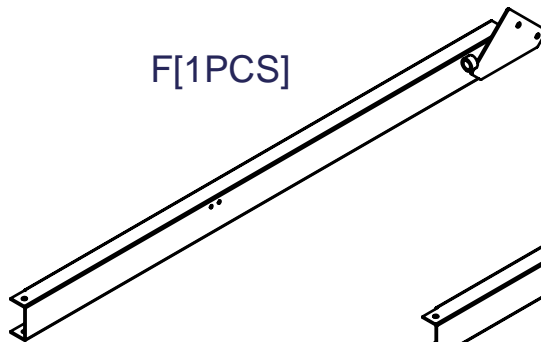
D[1PCS]



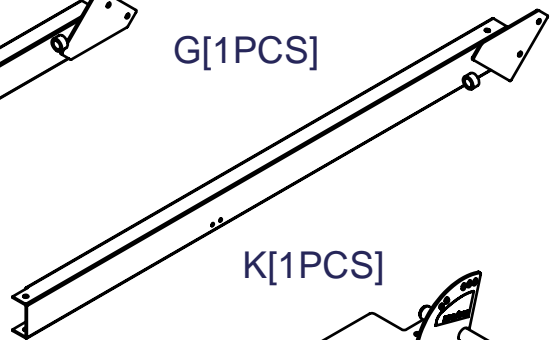
E[1PCS]



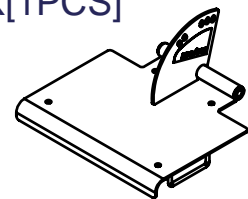
F[1PCS]



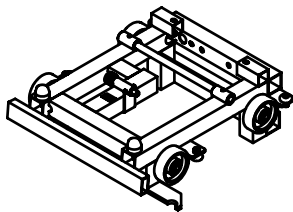
G[1PCS]



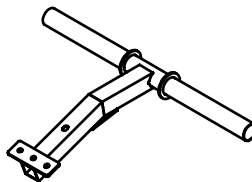
K[1PCS]



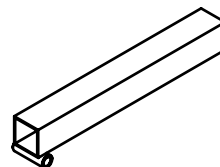
H[1PCS]



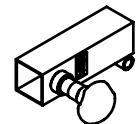
J[1PCS]



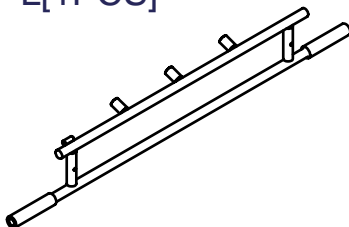
N[1PCS]



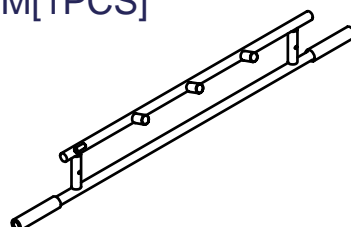
O[1PCS]



L[1PCS]



M[1PCS]



P[2PCS]



T[1PCS]



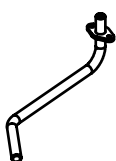
U[1PCS]



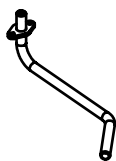
V[1PCS]
8312-013



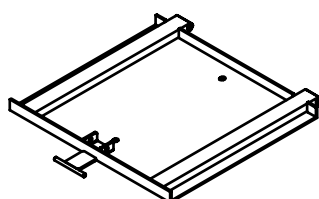
Q[1PCS]



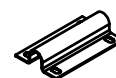
R[1PCS]



S[1PCS]



W[2PCS]
8343-023

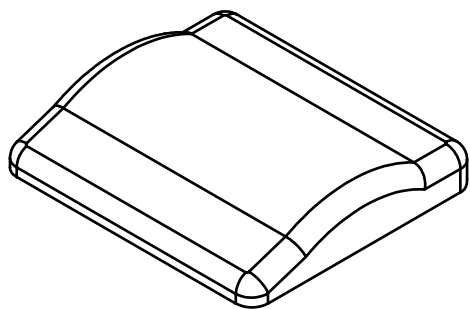


X[1PCS]
8333-045

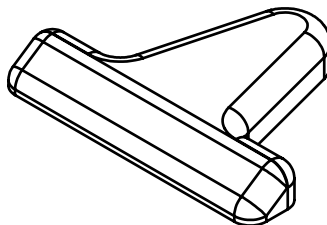


PARTS ILLUSTRATION SHEET

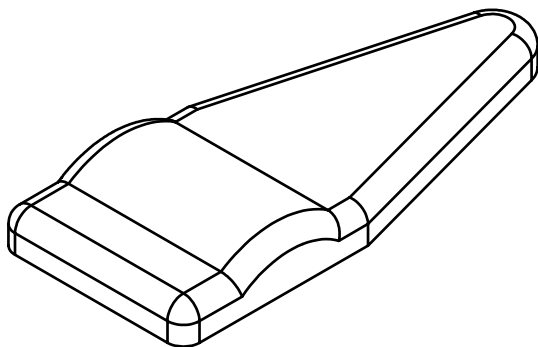
Y[1PCS]



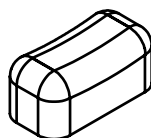
Z[1PCS]



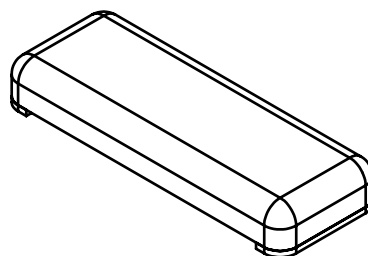
AA[1PCS]



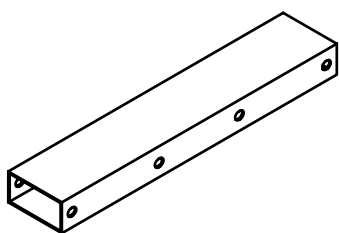
AB[2PCS]



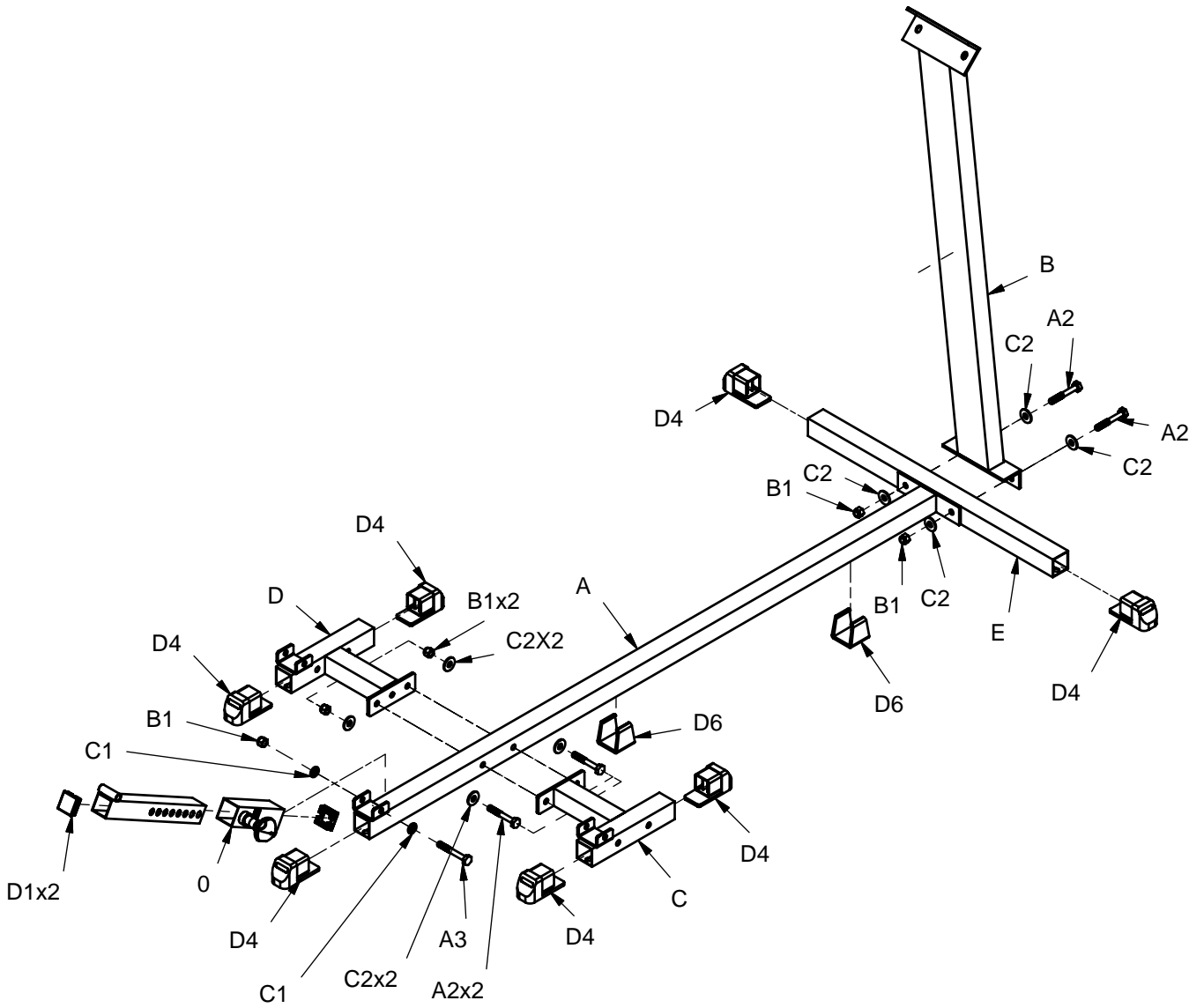
AC[1PCS]



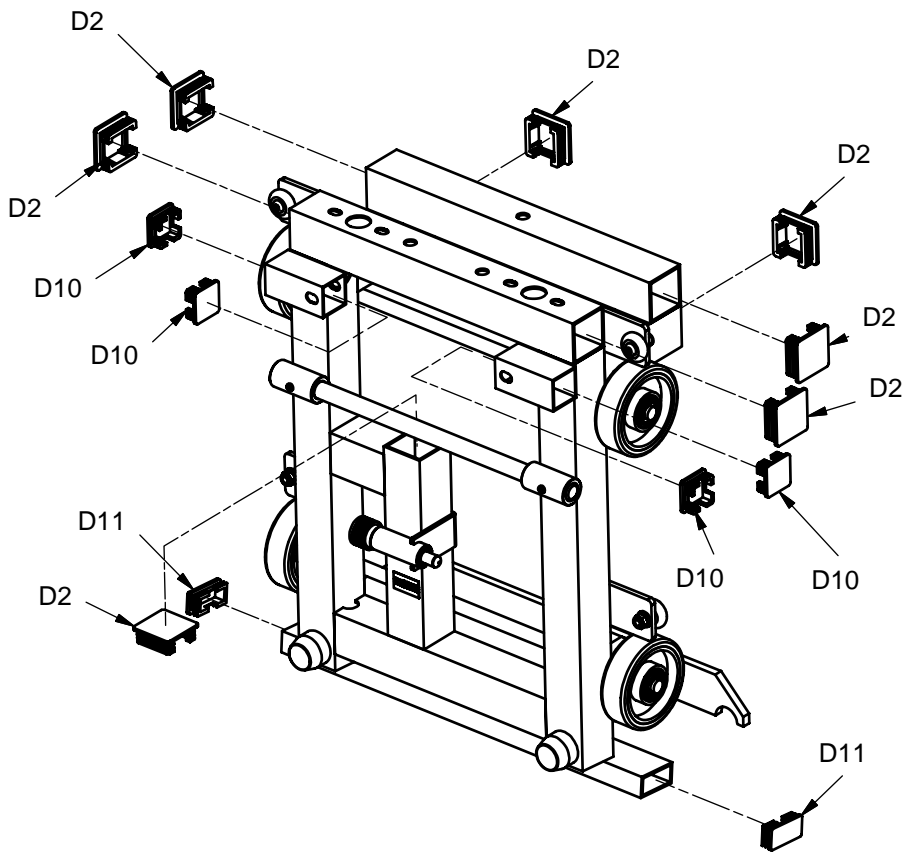
AD[1PCS]



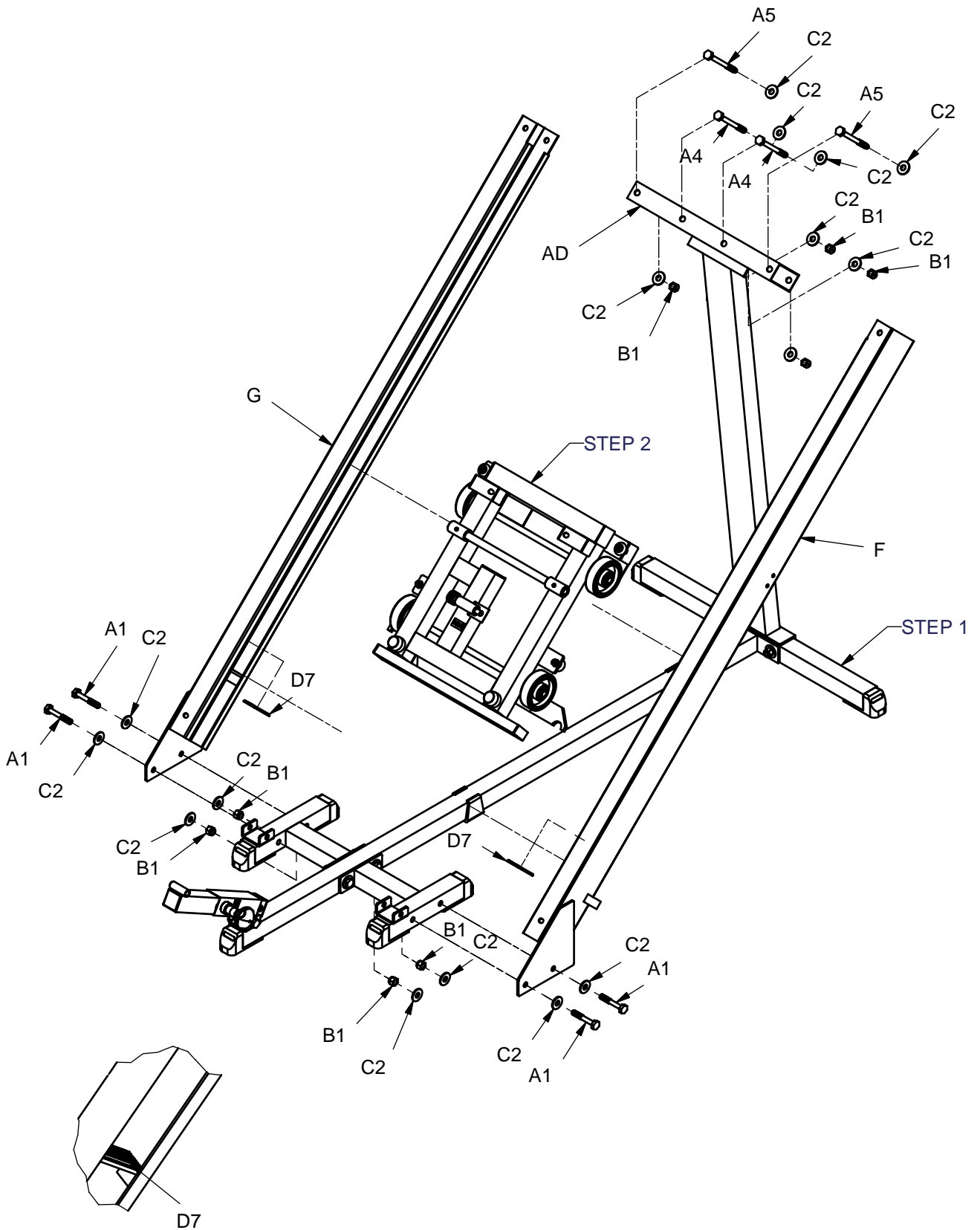
ASSEMBLY STEP 1



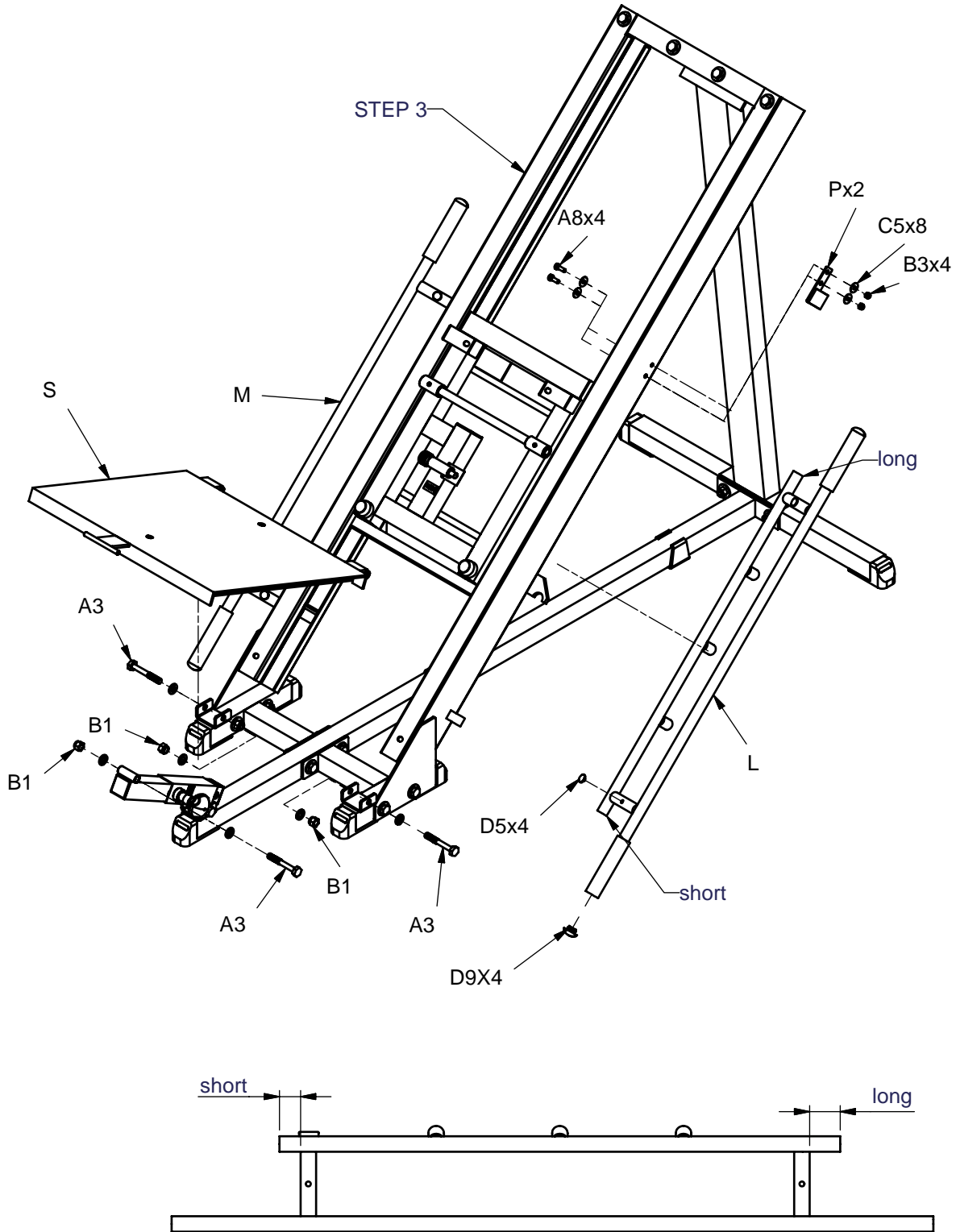
ASSEMBLY STEP 2



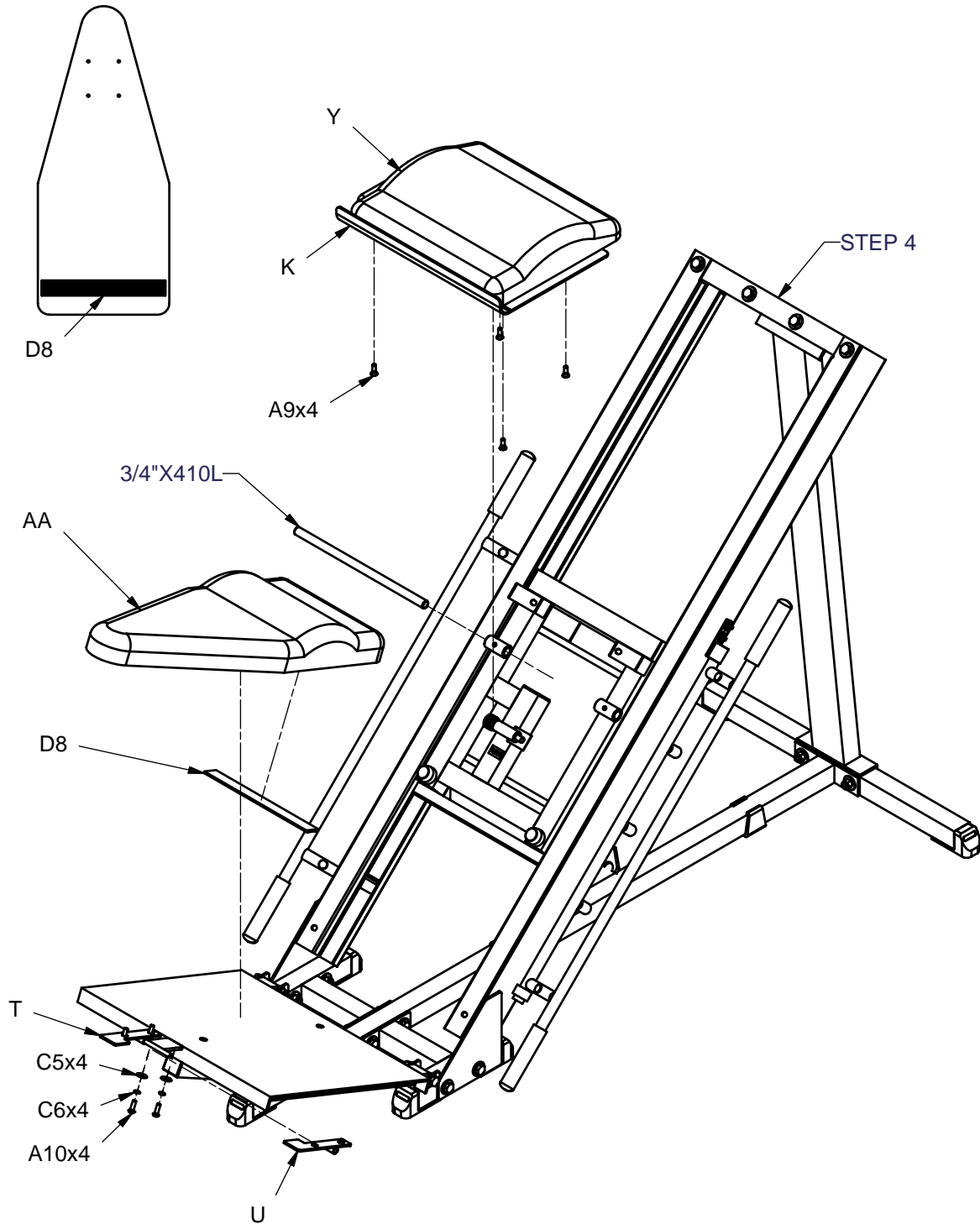
ASSEMBLY STEP 3



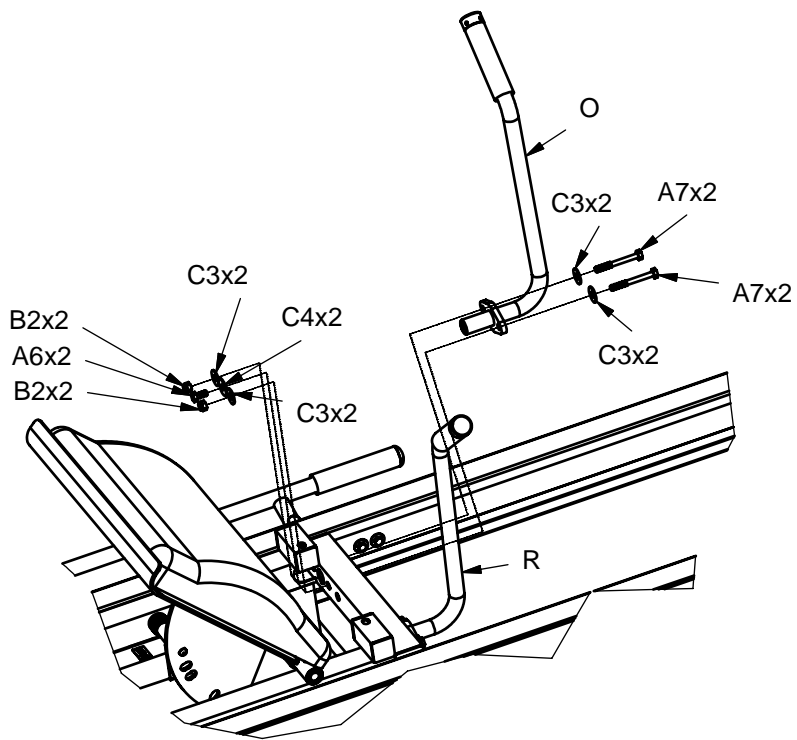
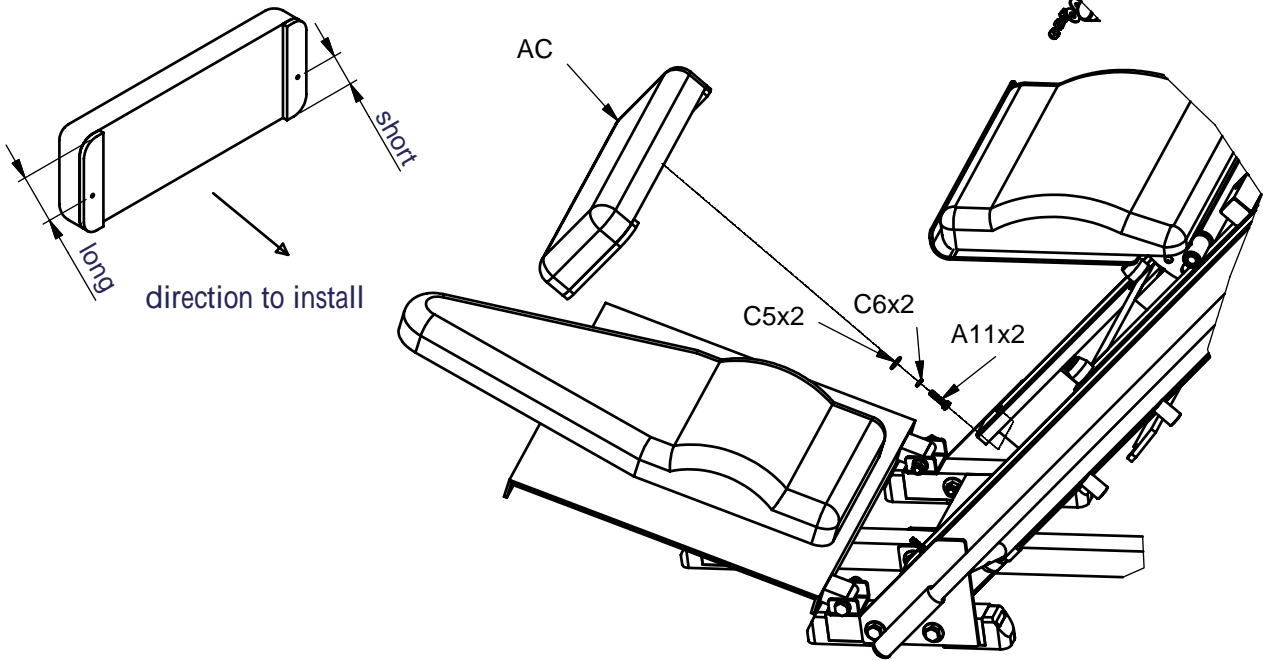
ASSEMBLY STEP 4



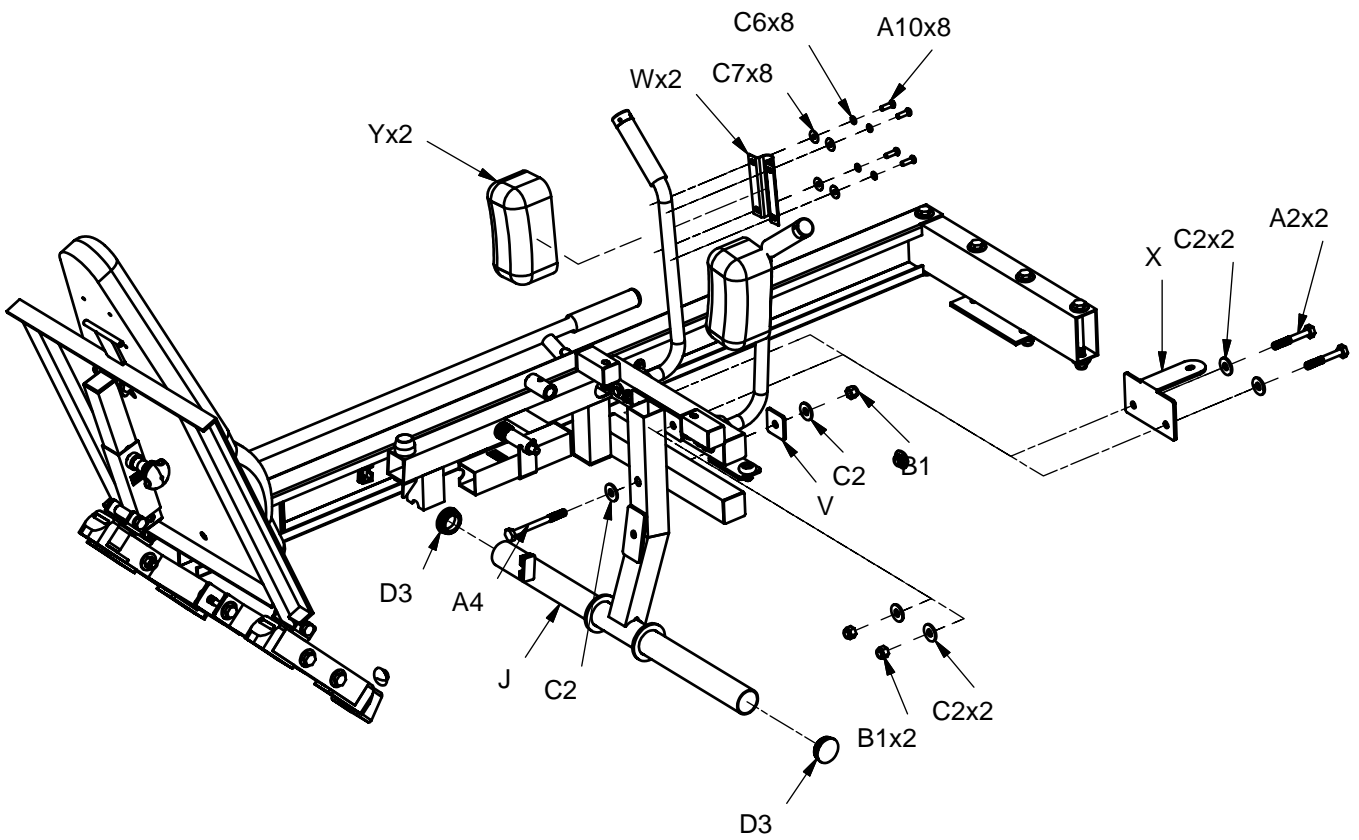
ASSEMBLY STEP 5



ASSEMBLY STEP 6

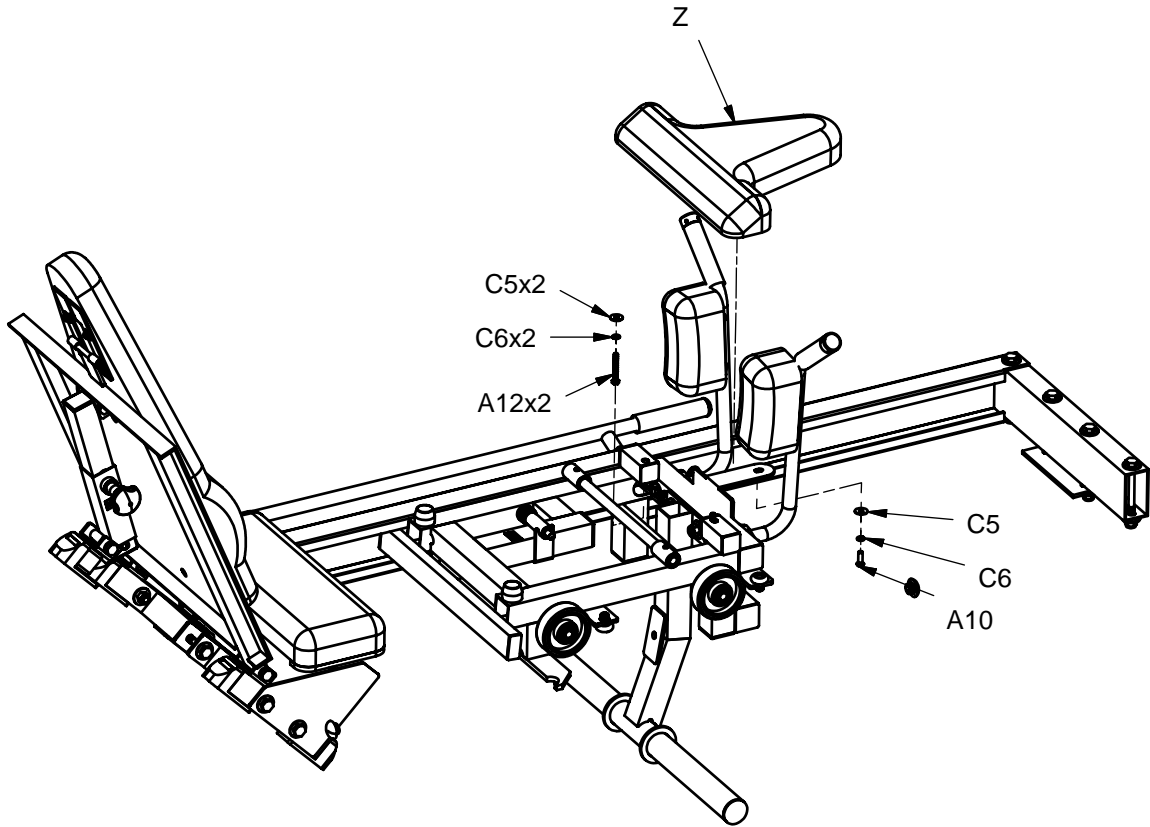


ASSEMBLY STEP 7



Section View

ASSEMBLY STEP 8



Section View