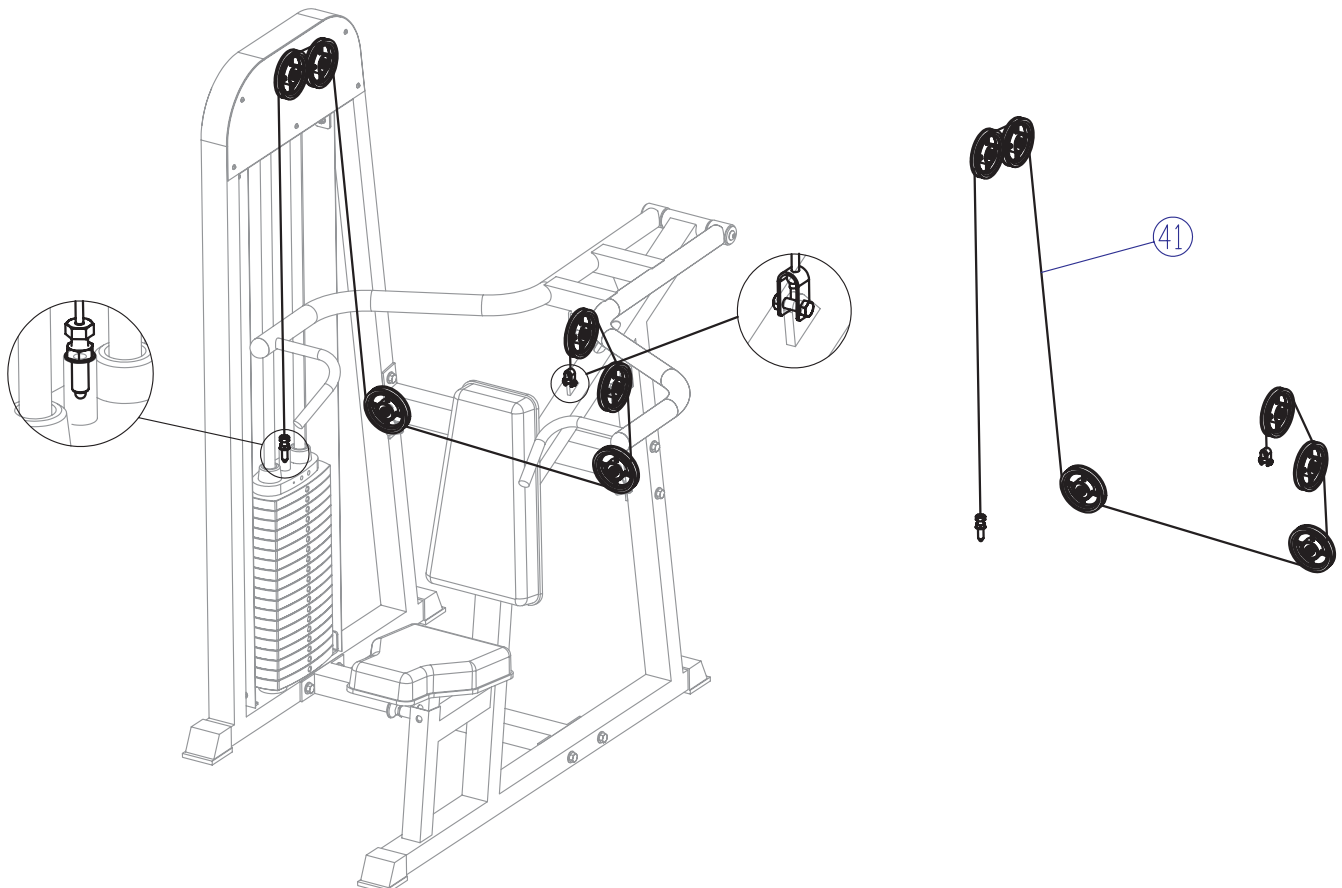


CT2013 SHOULDER PRESS

REVISED:JAN.25,2008

PART LIST

ITEM	QTY	DESCRIPTION	ITEM	QTY	DESCRIPTION
1	1	WEIGHT STACK FRAME	22	2	HBOLT 0.5000-13x1x1-N
2	1	WEIGHT STACK SHIELD	23	8	HBOLT 0.5000-13x3.5x1.25-N
3	2	WEIGHT STACK FRAME SHIELD	24	8	HJNUT 0.5000-13-D-N
4	1	MAIN FRAME	25	18	FW 0.375
5	1	TOP CROSS BRACE	26	2	HBOLT 0.3750-16x1x1-N
6	1	BOTTOM CROSS BRACE	27	4	HBOLT 0.3750-16x2x1-N
7	1	ARM	28	4	HBOLT 0.3750-16x2.75x1-N
8	1	BACK PAD	29	2	HBOLT 0.3750-16x3.75x1-N
9	1	SEAT PAD	30	6	HJNUT 0.3750-16-D-N
10	1	ADJUSTABLE SEAT PAD TUBE	31	2	GB_FASTENER_SCREWS_HSFPM10X10-N
11	1	PIVOT AXLE	32	8	FW 0.3125
12	2	CABLE RETAINER BRACKET	33	4	SBHCSCREW 0.3125-18x0.75-HX-N
13	2	CHROME WASHER 1/2 IDX 1 5/8 OD	34	4	HNUT 0.3125-18-D-N
14	2	POWDER METALLURGY BUSHING 1 IDX1 1/4 OD	35	10	SBHCSCREW 0.25-20x0.3125-HX-N
15	1	PUSH PULL PIN	36	2	WEIGHT STACK GUIDE ROD
16	1	RUBBER BUMPER	37	1	TOP WEIGHT
17	4	2x2.75 FOOT COVER	38	19	WEIGHT STACK
18	1	PLASTIC INSERT CAP 2x2.75	39	2	RUBBER DONUT
19	2	PLASTIC INSERT CAP DIA 2	40	1	SELECTOR PINS w/COIL
20	6	PULLEY ASSEMBLY 4.5	41	1	CABLE SUBASSEMBLY
21	16	FW 0.5	42	2	LW 0.5



CT2013 SHOULDER PRESS

EXPLODED VIEW DIAGRAM



**USE CAUTION
WHEN WORKING
WITH WEIGHT
STACK !**

