



SPIRIT FITNESS

A Heritage of Quality | The Spirit of Innovation

Инструкция по сборке. Баттерфляй / задняя дельта



Руководство пользователя



A Heritage of Quality | The Spirit of Innovation
SPIRIT FITNESS

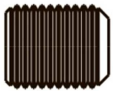



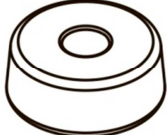
A Heritage of Quality | The Spirit of Innovation
SPIRIT FITNESS

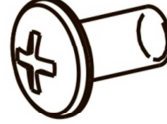



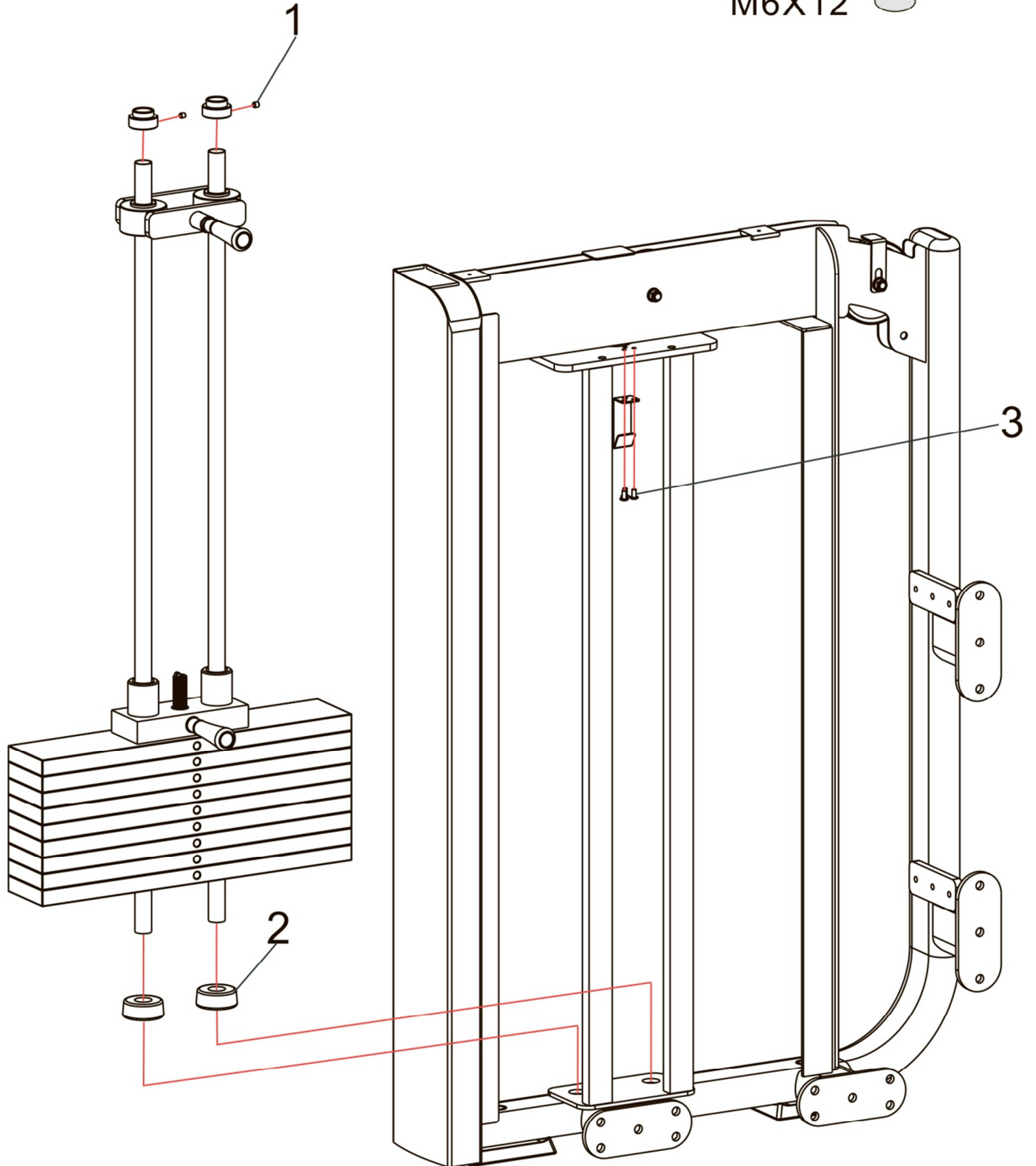
A Heritage of Quality | The Spirit of Innovation
SPIRIT FITNESS

1

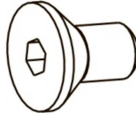
1  X2
M8X10 

2  X2
 $\Phi 62 \times \Phi 26 \times 25$

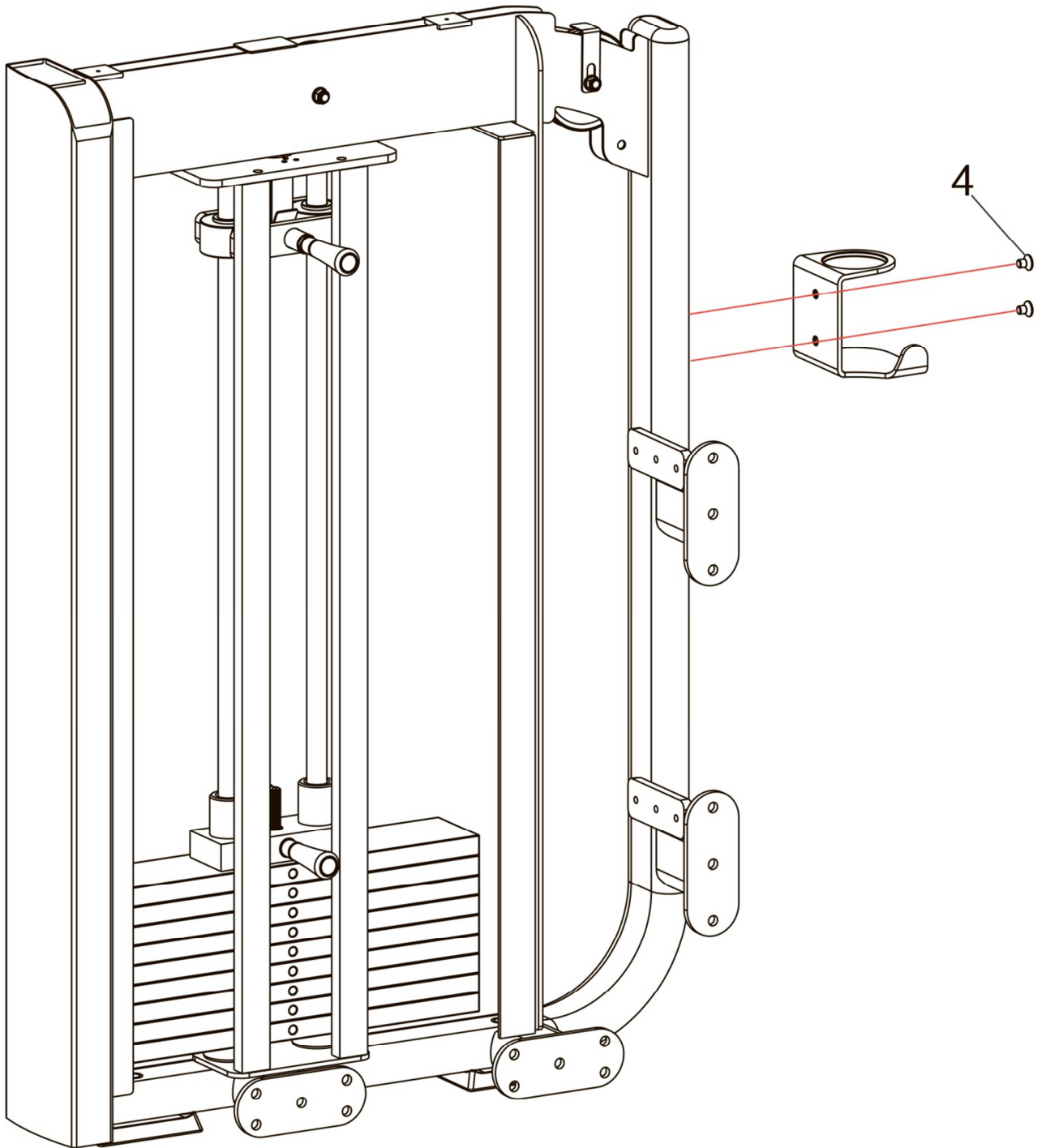
3  X3
M6X12 



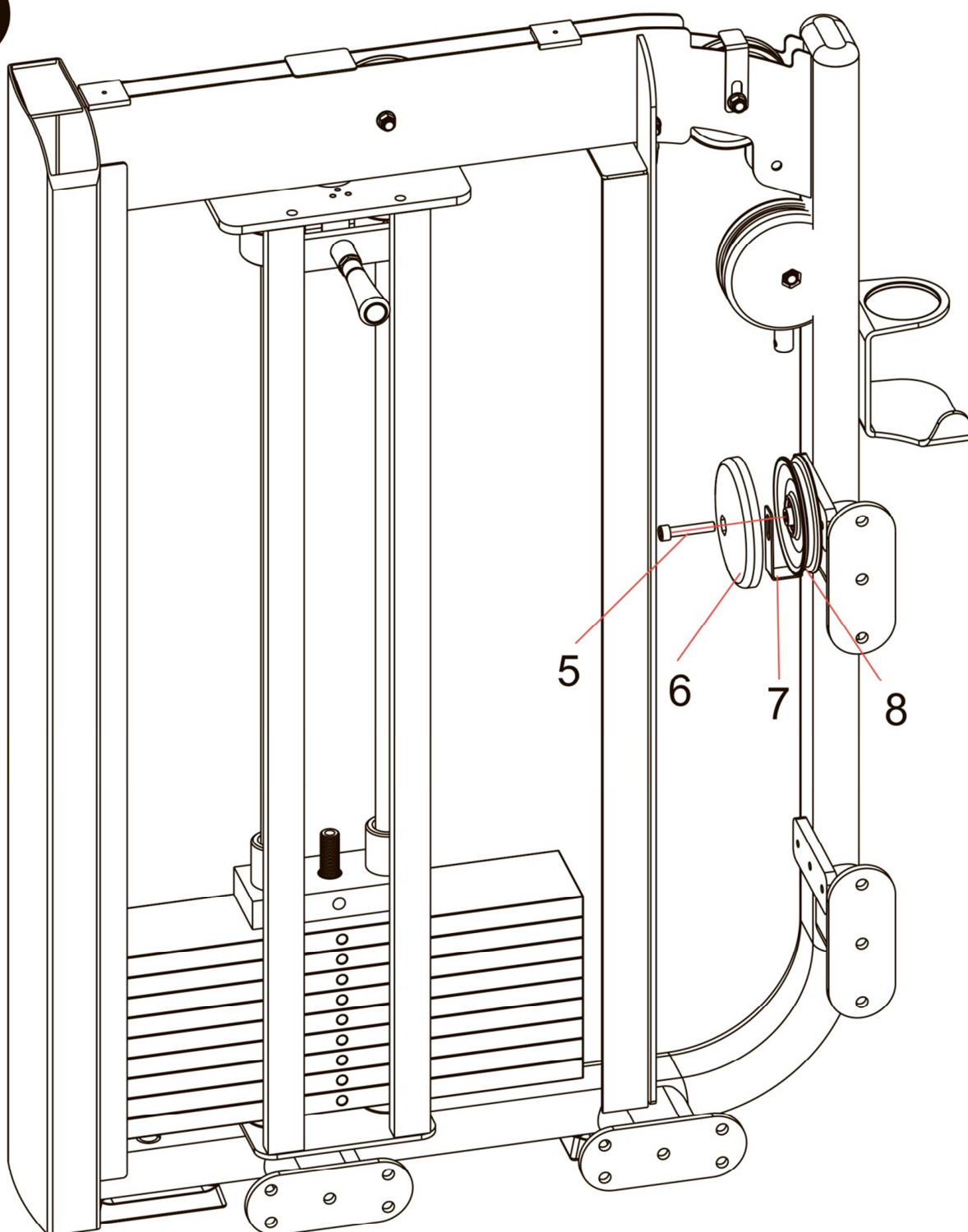
2

4  X2


M10X20 

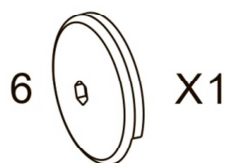


3

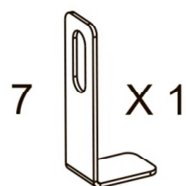


5  X1

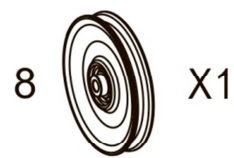
M10X50 



Φ127




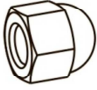



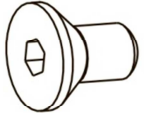


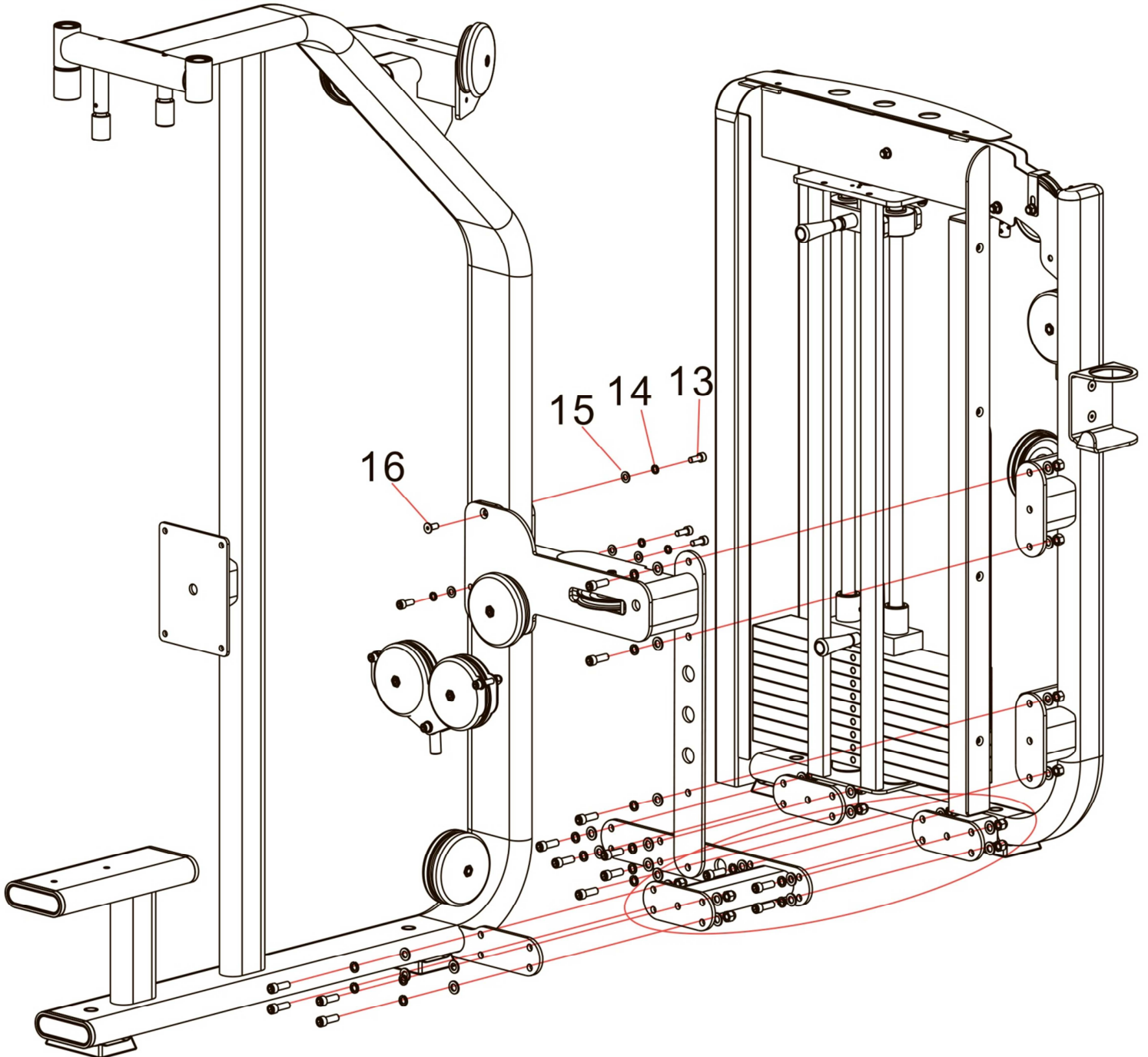
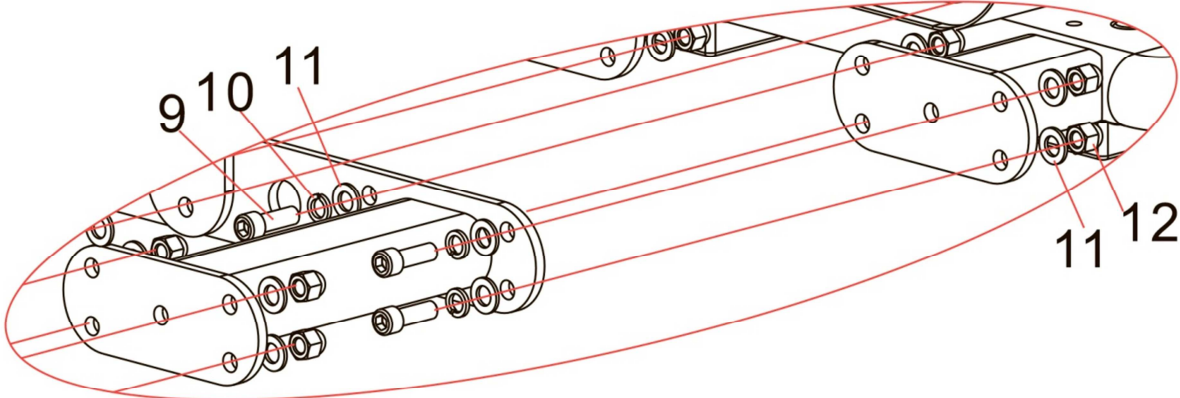
(35+80)*25*2



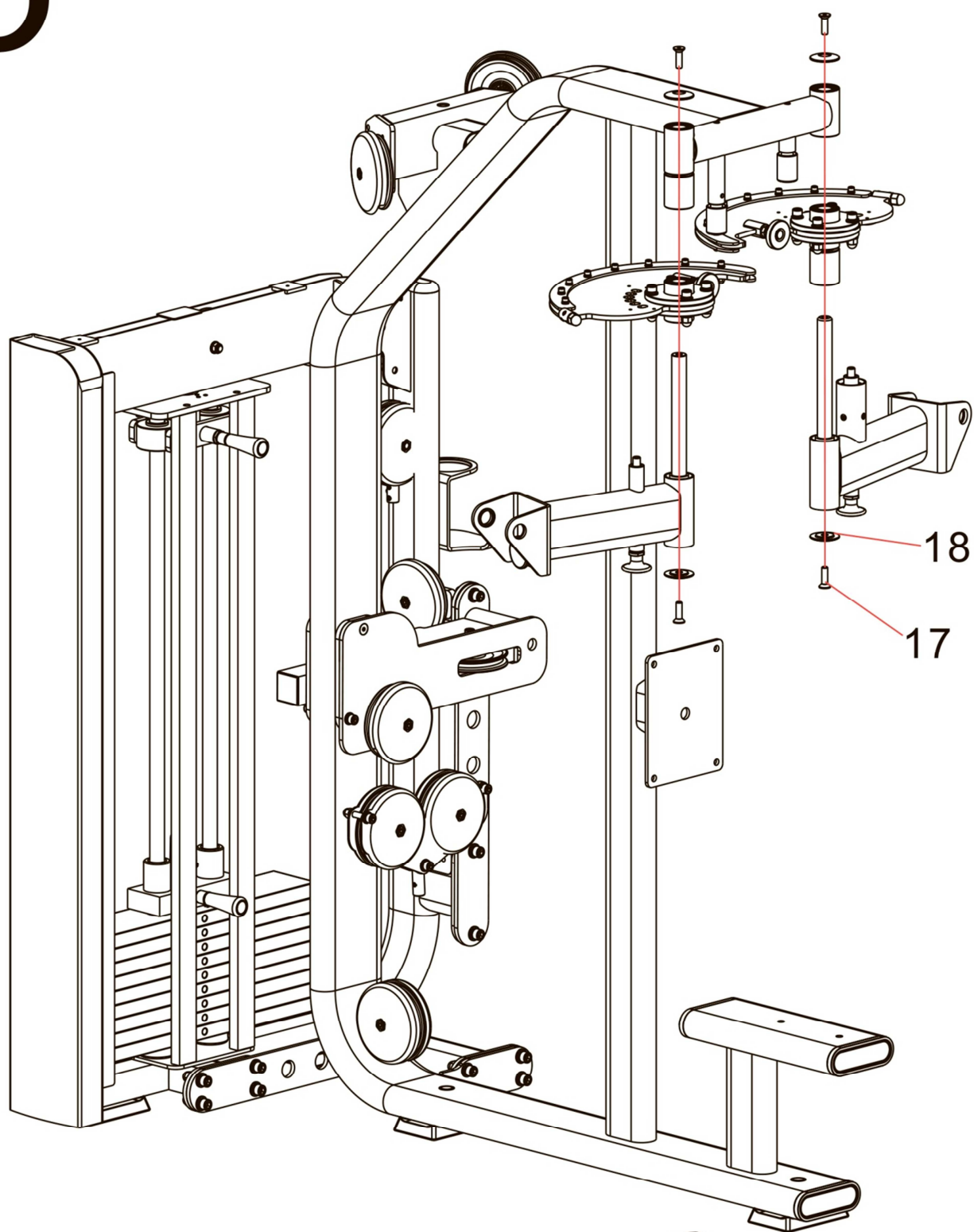
Φ127

4

- | | | | | | | | | | | | |
|----|---|-----|----|---|-----|----|---|-----|----|---|-----|
| 9 |  | X16 | 10 |  | X16 | 11 |  | X28 | 12 |  | X16 |
| | M12*35 | | | M12 | | | M12 | | | M12 | |
| 13 |  | X4 | 14 |  | X4 | 15 |  | X4 | 16 |  | X1 |
| | M10*25 | | | M10 | | | M10 | | | M10*25 | |



5



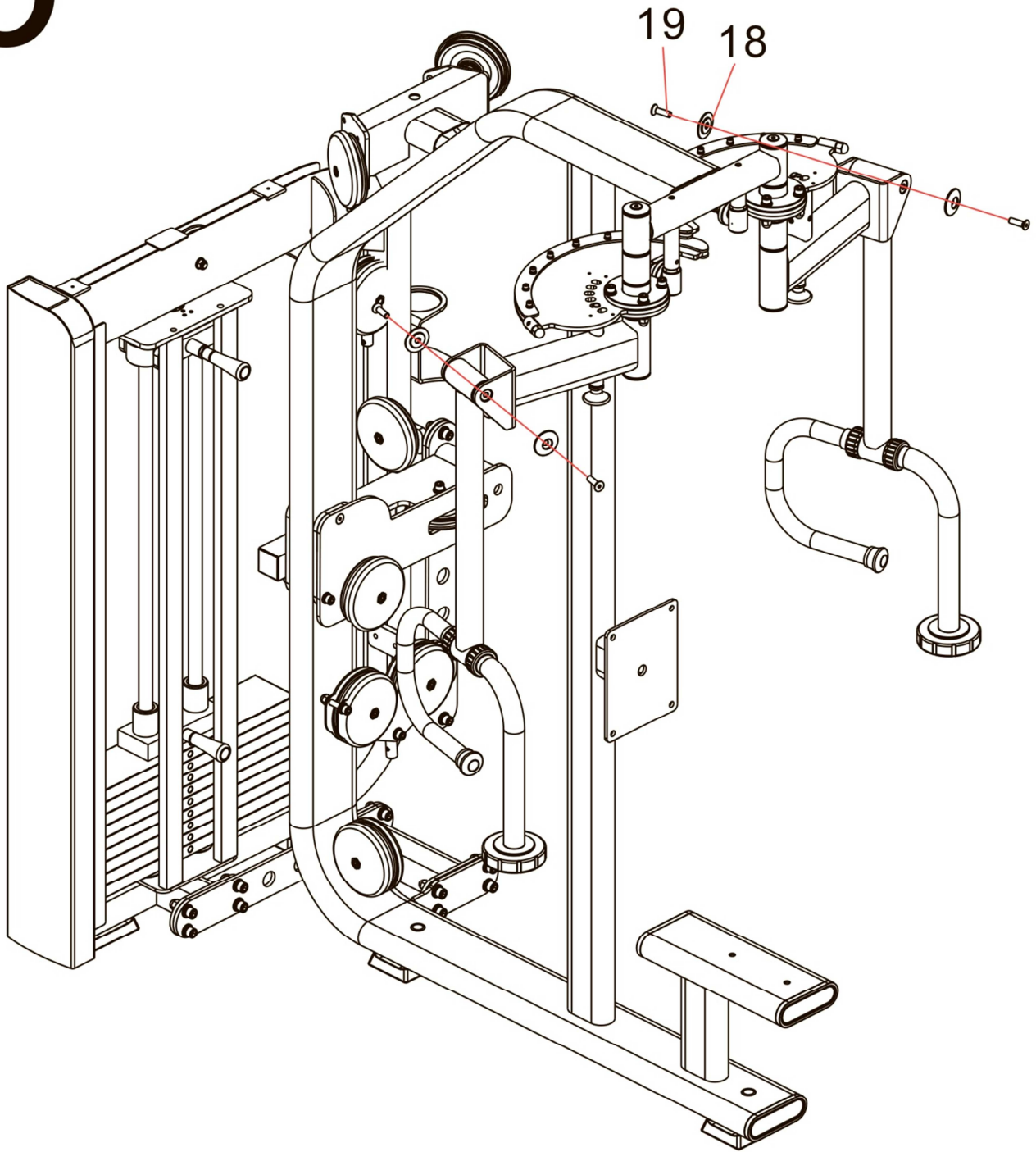
18 X4

$\phi 50 * \phi 11 * 8.1$

17 X4


M10*35


6



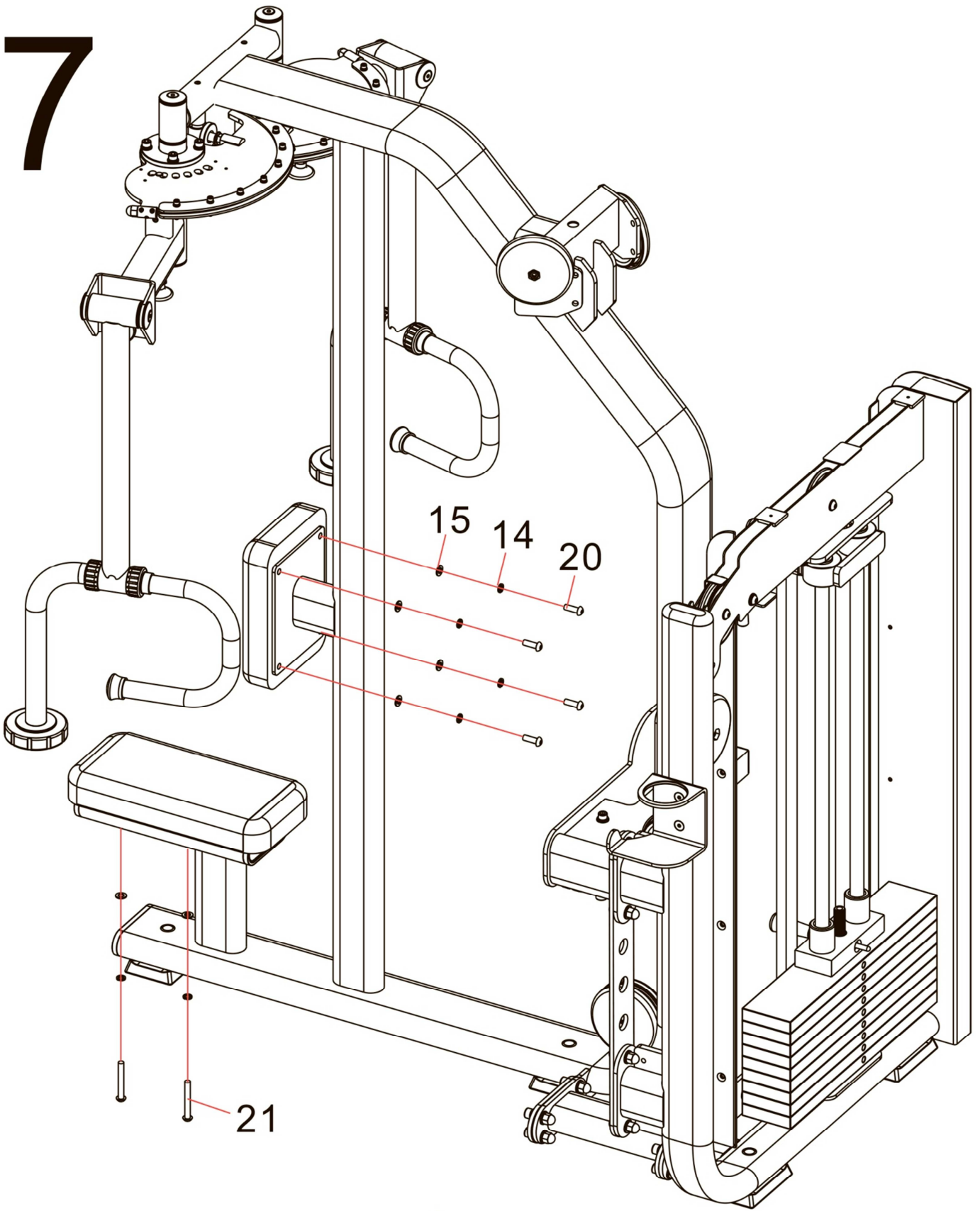
18  X4

$\phi 50 * \phi 11 * 8.1$

19  X4



M10*30 



7



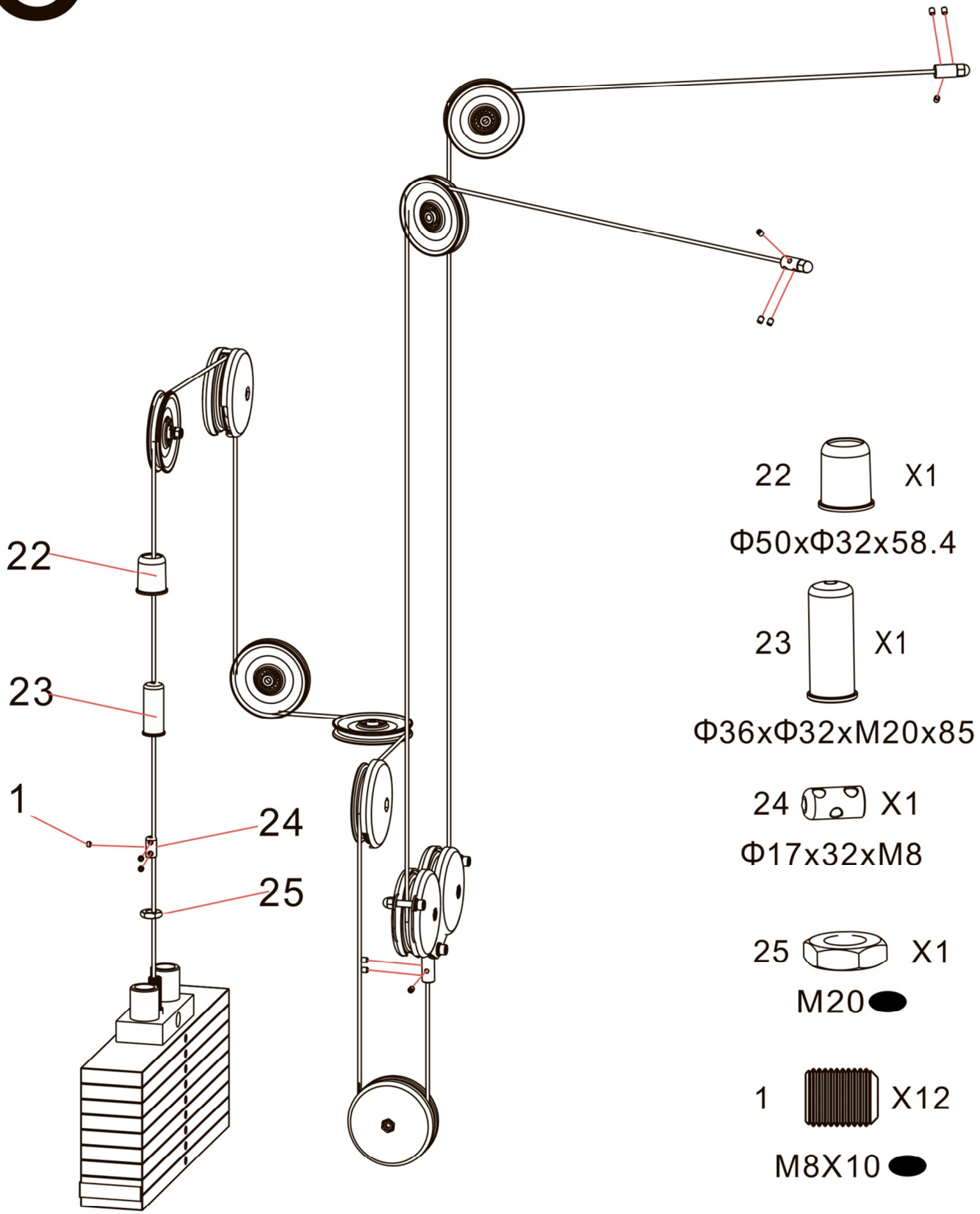
14  X6
M10 

15  X6
M10 



20  X4
M10*30 



21  X2
M10*75 



8





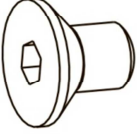

9

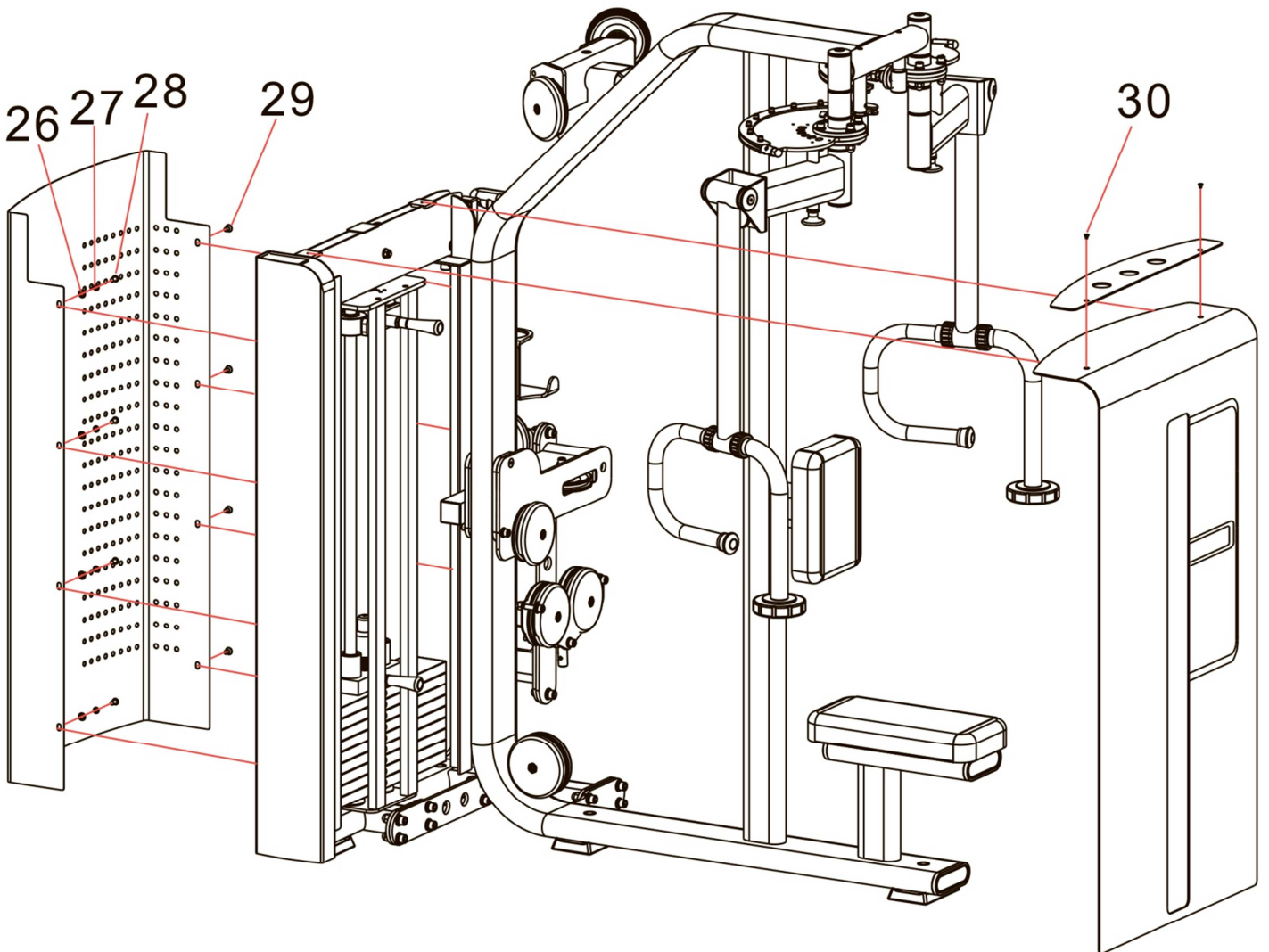
26  X4
M8 


27  X4
M8 

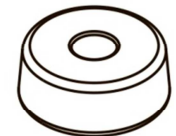
28  X4
M8X15 

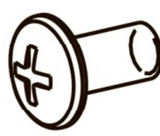
29  X4
M8X15 

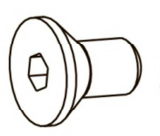
30  X2
M5X10 

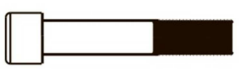



1  X4
M8X10 ●

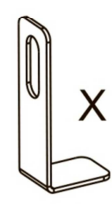
2  X2
Φ62xΦ26x25


3  X3
M6X12 ○

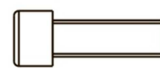
4  X2
M10X20 ○


5  X1
M10X50 ○


6  X1
Φ127

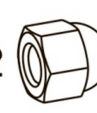
7  X1
(35+80)*25*2

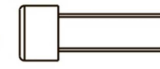
8  X1
Φ127


9  X16
M12*35 ○


10  X16
M12 ○

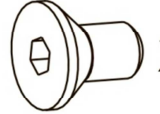
11  X28
M12 ○

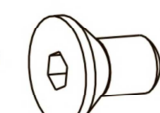
12  X16
M12 ○


13  X4
M10*25 ○


14  X10
M10 ○


15  X10
M10 ○

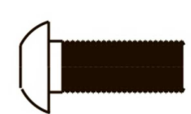
16  X1
M10*25 ○

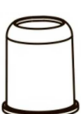
17  X4
M10*35 ○

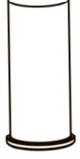
18  X8
Φ50*φ11*8.1


19  X4
M10*30 ○

20  X4
M10*30 ○

21  X2
M10*75 ○

22  X1
Φ50xΦ32x58.4

23  X1
Φ36xΦ32xM20x85

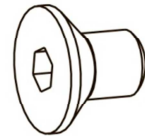
24  X1
Φ17x32xM8

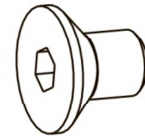
25  X1
M20 ●

26  X4
M8 ○

27  X4
M8 ○

28  X4
M8X15 ○

29  X4
M8X15 ○

30  X2
M5X10 ○